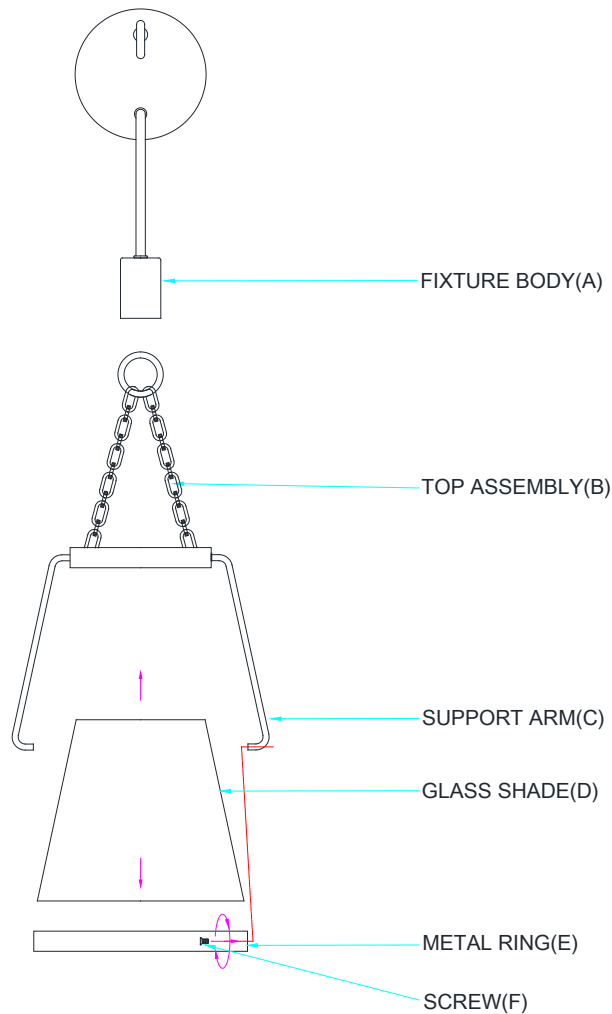




SAVOY  
HOUSE

ITEM NO.: 9-1801-1



## ASSEMBLY INSTRUCTIONS

1. Carefully unpack and identify all parts referring to illustration for parts identification.
2. Turn the power to the installation point OFF.
3. Carefully place the glass shade (D) on the metal ring (E).
4. Align the bottom holes of the support arm (C) and metal ring (E) together, securing with screws (F).
5. Attach the ring of the top assembly (B) to the hook on the fixture body (A).
6. Refer to the additional installation instructions included with the product for wiring and installation.
7. Install proper bulbs (not included) into each socket referring to the markings and/or labels on the fixture for maximum wattage.
8. Restore power to the installation point and retain this sheet for future reference.