

LED Light Kit Module Removal and Installation

WARNING! RISK OF ELECTRIC SHOCK

All electrical connections must be in accordance with local codes, ordinances, or national codes. If you are unfamiliar with methods of installing electrical wiring, secure the services of a qualified electrician.

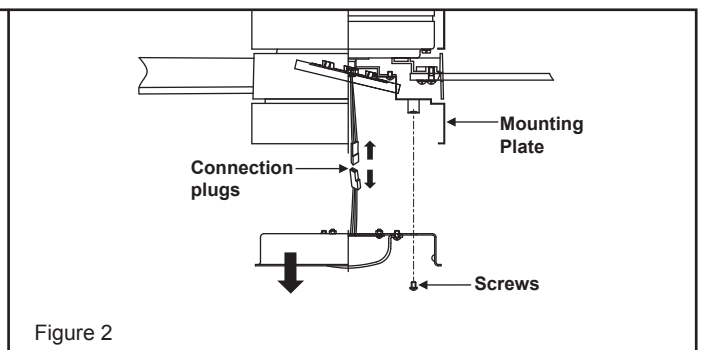
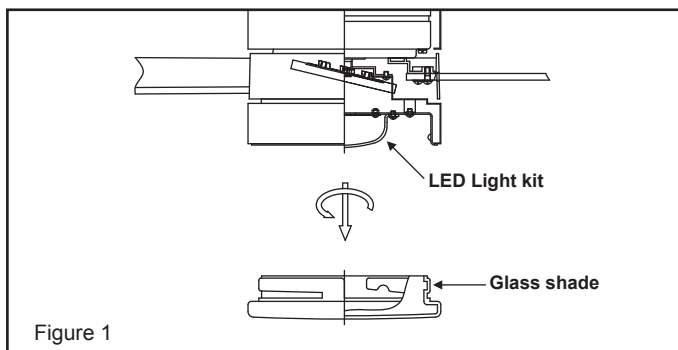
Before starting the installation, disconnect the power by turning off the circuit breaker or removing the fuse at fuse block. Turning power off using fan switch (speed control on/off) is not sufficient to prevent electrical shock.

NOTE: The important safeguards and instructions appearing in this manual are not meant to cover all possible conditions and situations that may occur.

CAUTION: The light source is designed for this specific application and can overheat if serviced by untrained personnel. If servicing is required, contact a qualified electrician.

CAUTION: The LED light module assembly is designed to be used with specific ceiling fans only. To prevent electric shock, do not disassemble or modify.

1. Remove the LED light kit by turning the glass shade counterclockwise first. (Fig. 1)
2. Remove the LED light from the fan by removing the non-slotted canopy mounting screw from the mounting plate and loosening the two slotted mounting screws a half turn. Next, turn the light kit counterclockwise to remove it from the mounting plate. Disconnect the light kit from the fan by way of the connection plugs. (Fig. 2)



3. While holding the new LED light kit under your fan, make the polarized plug connections. (Fig. 3)
 - Red to white
 - Black to black
4. Place the key holes in the LED light kit over the two screws previously loosened from the mounting plate. Turn the LED light kit until the LED light kit locks in place at the narrow section of the key holes. Securely tighten the two light kit mounting screws previously loosened and the one previously removed. (Fig. 3)
5. Place the glass shade on the LED light kit, and secure it to the fan by turning clockwise until snug. **DO NOT OVERTIGHTEN.** (Fig. 4) Restore power and your LED light module is ready for operation.

