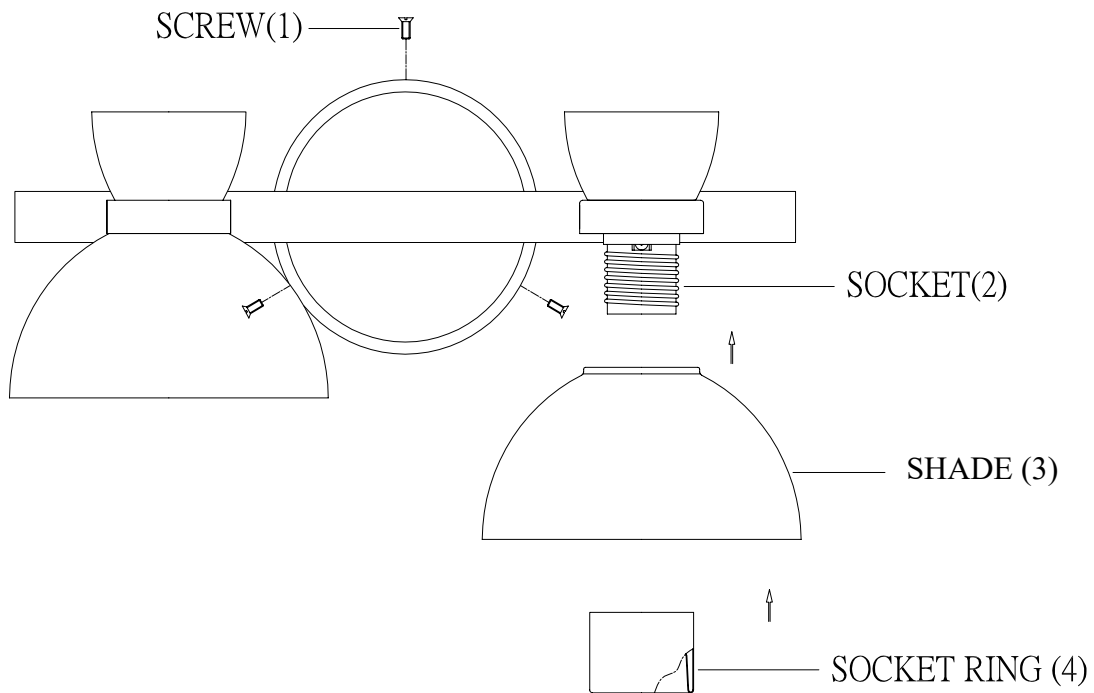


ITEM NO: M80074

M80075

M80076



ASSEMBLY INSTRUCTIONS

1. Carefully unpack and identify all parts referring to illustration for parts identification.
2. Turn the power to the installation point OFF.
3. Install the shade (3) onto the socket (2) and secure with socket ring (4).
4. Install proper bulbs (not included) into each socket referring to the markings and/or labels on the fixture for maximum wattage.
5. Restore power to the installation point and retain this sheet for future reference.