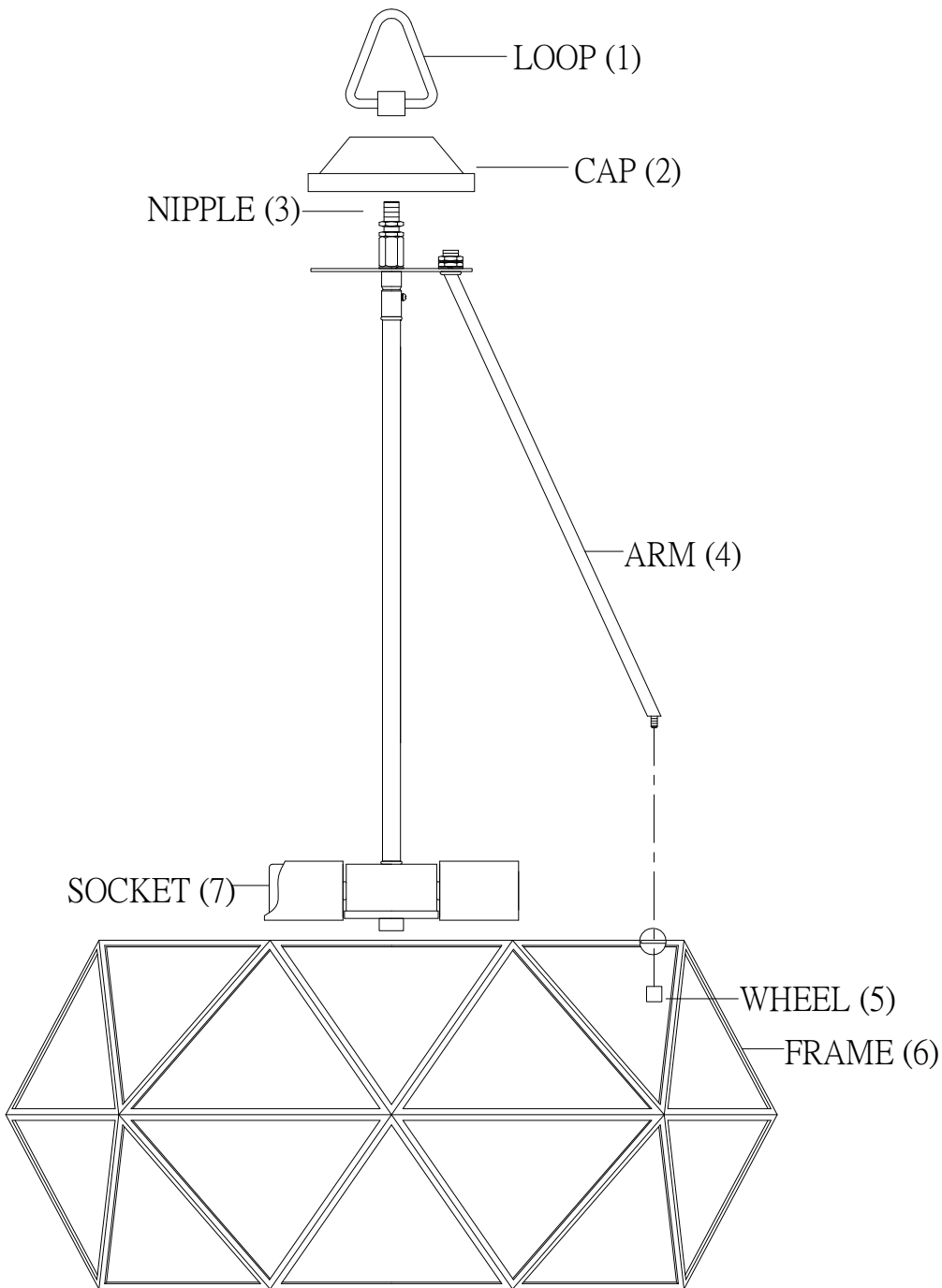




## LIGHTING



### INSTALLATION INSTRUCTIONS

1. Carefully remove the fixture out of the carton, and check that all parts are included referring to the above illustration. Make sure not to misplace any parts that are needed for the installation;
2. Install the cap (2) onto nipple (3), then secure them with loop (1).
3. Install the frame (6) onto arm (4), then secure them with wheel (5).
4. Fixture is ready for lamping and installation.