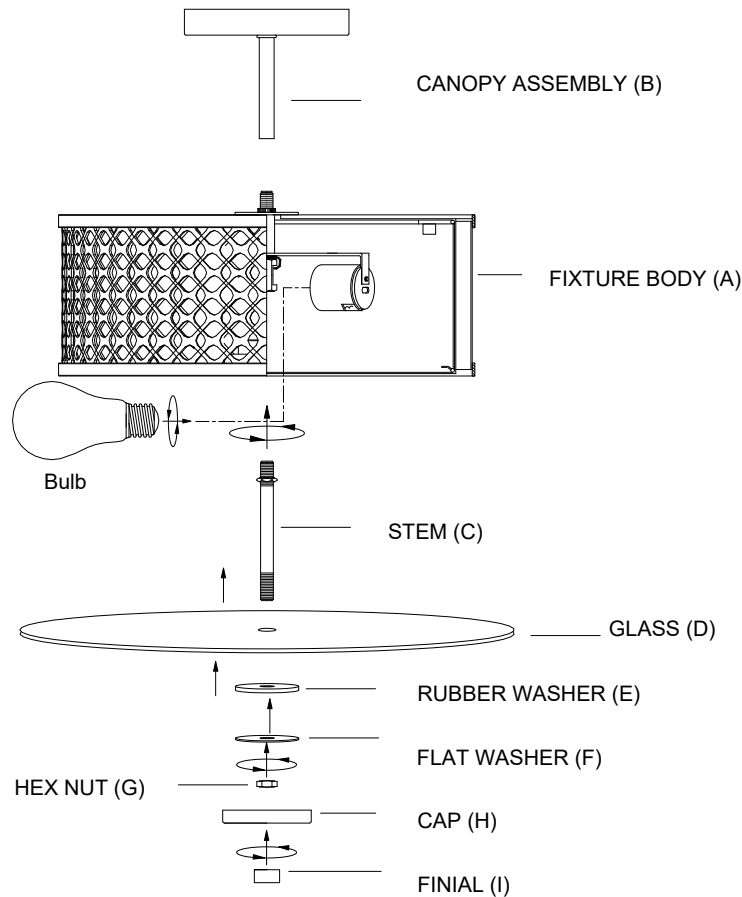


MERIDIAN

LITE TRENDS

ITEM NO : M60016MBK
M60016ORB
M60016BN
M60016NB



ASSEMBLY INSTRUCTIONS

1. Carefully unpack and identify all parts referring to illustration for parts identification.
2. Turn the power to the installation point **OFF**.
3. Thread the canopy assembly (B) onto the protruding nipple at the top center of fixture body (A).
4. Thread the top end of stem (C) into the coupling at the bottom of fixture body (A). Hand tighten until snug.
5. Refer to the additional installation instructions included with the product for wiring and installation.
6. Install proper bulbs (not included) into each socket referring to the markings and/or labels on the fixture for maximum wattage.
7. Carefully pass the stem (C) through center hole of glass (D), rubber washer (E), and flat washer (F). Secure with hex nut (G). Hand tighten until snug.
8. Place the cap (H) over the stem (C) and secure with the finial (I).
9. Restore power to the installation point and retain this sheet for future reference.