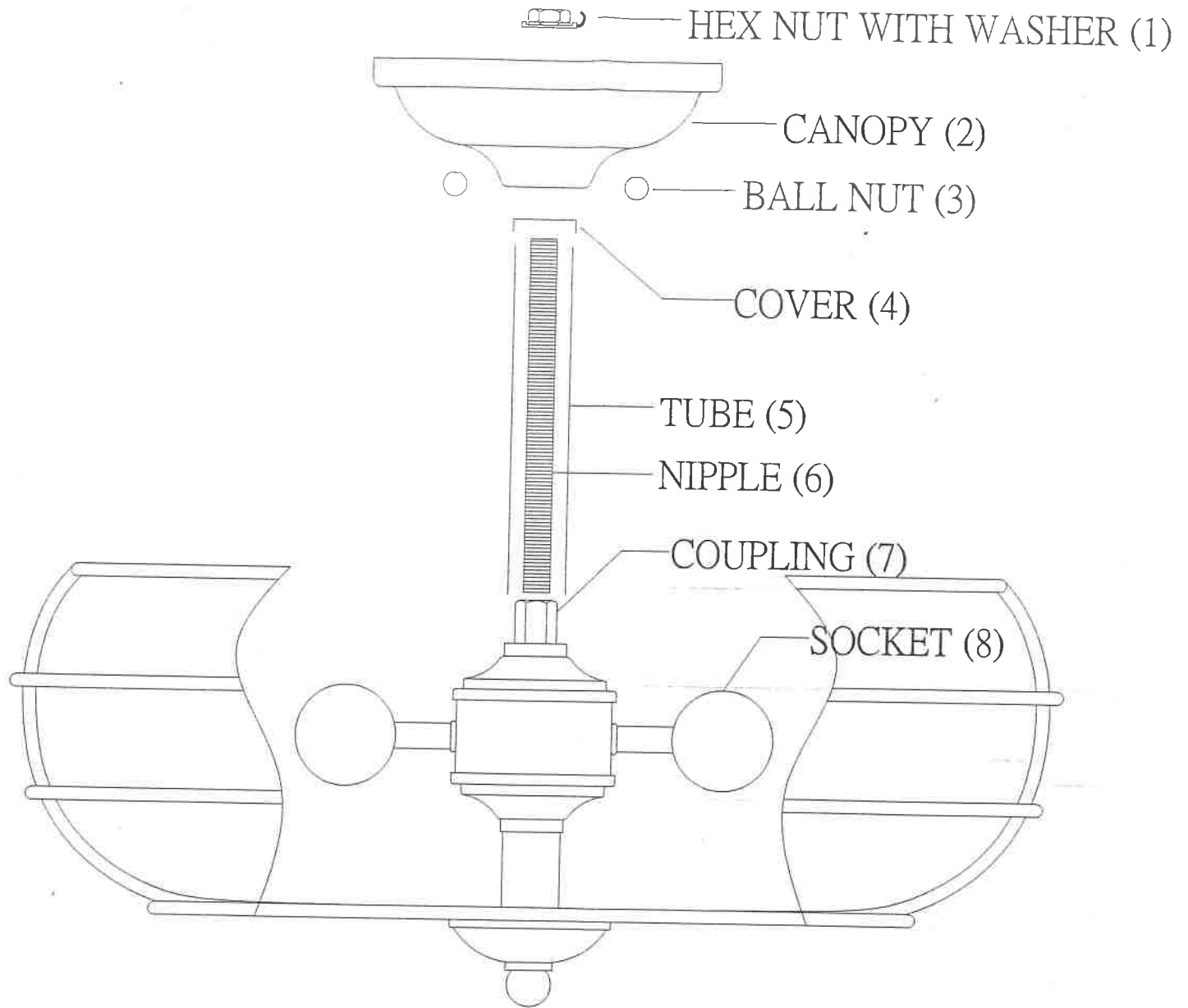




LIGHTING

ITEM NO: 1-8075-3-SN

1-8075-3-13



INSTALLATION INSTRUCTIONS

1. Carefully remove the fixture out of the carton, and check that all parts are included referring to the above illustration. Make sure not to misplace any parts that are needed for the installation;
2. Install the nipple (6) into coupling (7), then tube (5), cover (4) and canopy (2) onto nipple (6), then secure them with hex nut with washer (1).
3. Fixture is ready for lamping and installation.